

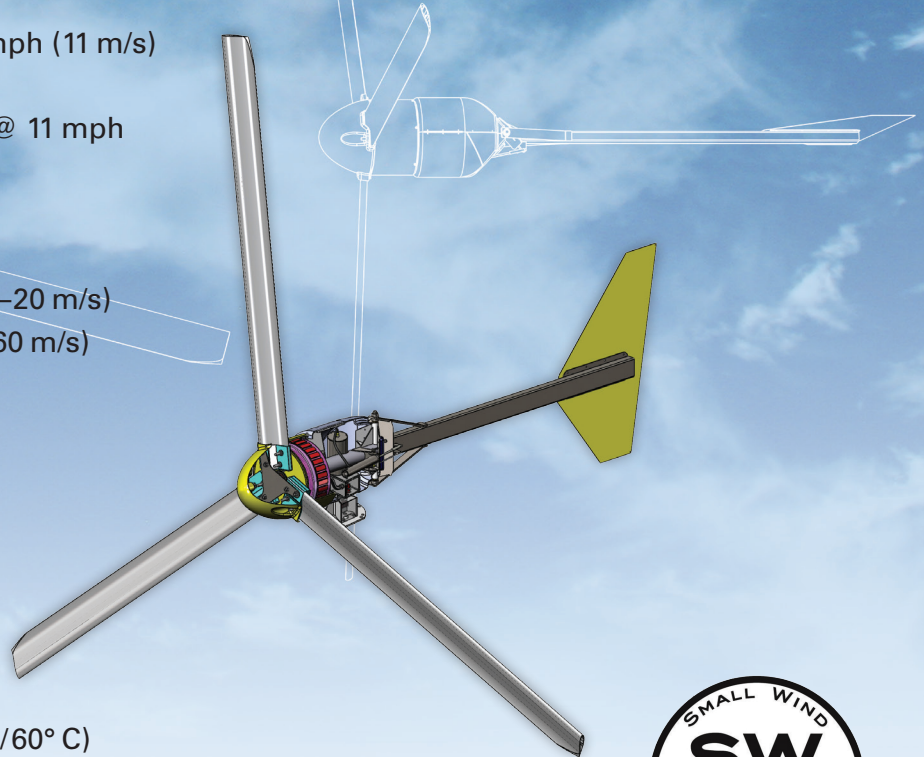
# BERGEY EXCEL 10

## Performance

- AWEA RATED POWER: 8.9 kW @ 24.6 mph (11 m/s)
- PEAK POWER: 12.6 kW
- AWEA ANNUAL ENERGY: 13,800 kWh @ 11 mph (5m/s) Average
- CUT-IN WIND SPEED: 5.6 mph (2.5 m/s)
- CUT-OUT WIND SPEED: None
- FURLING WIND SPEED: 31–45 mph (14–20 m/s)
- MAX DESIGN WIND SPEED: 134 mph (60 m/s)
- NOMINAL ROTOR SPEED: 0–400 rpm

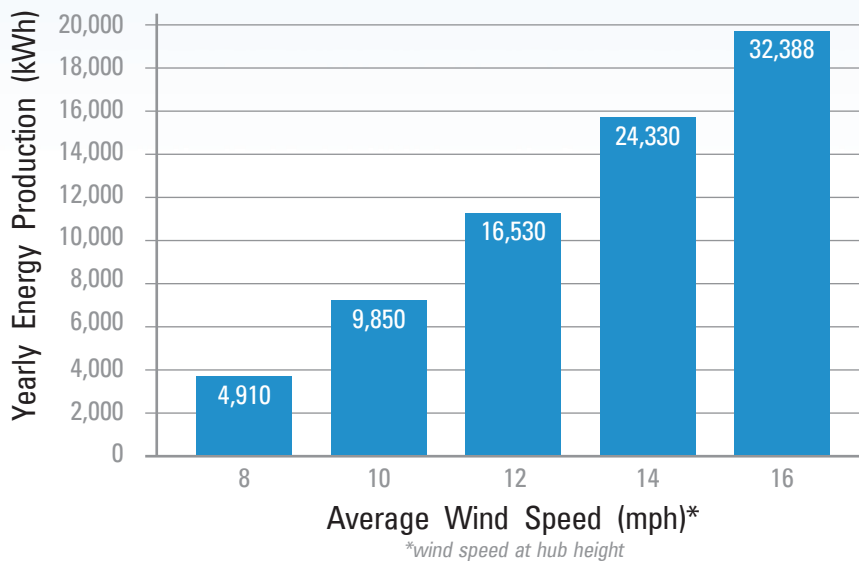
## Mechanical

- TYPE: 3-Blade Upwind, Horizontal Axis
- ROTOR DIAMETER: 23 ft. (7.0 m)
- WEIGHT: 1200 lb. (545 kg)
- GEARBOX: None
- OVER SPEED PROTECTION: Autofurl®
- TEMPERATURE RANGE: -40/140° F (-40/60° C)
- TOWERS: Guyed and Non-guyed 80–160 ft. (24–49 m)
- ALTERNATOR: 3Ø Neo Permanent Magnet
- INVERTER: 12 kW Powersync II
- Remote Monitoring Via Internet and Smartphones (Optional)



**CERTIFIED**  
SMALL WIND TURBINE  
SWCC-10-12

### Annual Energy Output



### 12 kW Powersync II Inverter



# BERGEY EXCEL 10

## The wise choice for Performance, Reliability, and Ruggedness

The Bergey Excel 10 is ideal for homes, farms, and small businesses. With only three moving parts and no scheduled maintenance necessary, the Bergey Excel 10 has compiled a service record that no other wind turbine can match. We back it up with the longest warranty in the industry.



### The Wise Choice

30 years ago, Bergey pioneered the radically-simple “three moving parts design” that has proven to provide the best reliability, service life, and value of all of the hundreds of competitive designs that have come and gone in that time. A small wind turbine is a big investment and Bergey is clearly the wise choice.

### Advanced Technology:

- BW-7 Proprietary Low Noise Airfoil
- Powerflex Super High-Strength Blades
- Neo-10 Direct-Drive Permanent Magnet Alternator
- AutoFurl Storm Protection
- 12kW Powersync II Inverter
- Remote Monitoring (optional)



2200 Industrial Blvd. • Norman, OK 73069 • 405.364.4212 • [www.bergey.com](http://www.bergey.com)