

SolarPark Korea Powermodule™ Series



SPP 290 | 295 | 300 | 305 | 310



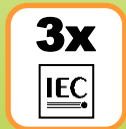
ADDITIONAL 5% VALUE:
25-YEAR "STRAIGHT
LINE WARRANTY"*



LONG-TERM SECURITY:
10-YEAR PRODUCT
WARRANTY



HIGHER SYSTEM YIELDS
(up to +5W/0W)
THROUGH PowerPlus
SORTING**



TRIPLE-TESTED FOR
GREATER
DEPENDABILITY



PREMIUM QUALITY
THROUGH
AUTOMATION



FIRE SAFETY
UL790 TESTED



STORM-PROOF ULTRA-
CLEAR TEMPERED SAFETY
GLASS



ELECTRICAL SAFETY WITH
SILICONE SEALANT &
MULTI-LAYER BACK SHEET



HAIL PROTECTION &
HEAVY SNOW LOAD
TESTED



SolarPark korea **Powermodules™** will suit your every need. Combining the finest raw materials with state-of-the-art automation technology, and backed by an industry-leading 25-year guarantee*, our **Powermodules™** deliver top-notch quality you can rely on – **QUALITY MADE IN KOREA.**

*1st year performance guarantee of 96% of labeled Pmax, followed by an annual decrease of 0.66%, which guarantees at least 80.2% of Pmax after the 25th year.

** SolarPark's PowerPlus Sorting (positive sorting): actual > rated power: tolerance only extends to positive deviations (additionally up to +5W/0W).

I. PERFORMANCE

Standard Test Conditions (STC)

Performance at 25 °C under 1,000 W/m², AM 1.5
at 200 W/m², 95 % of STC- efficiency is achieved [EN 60904-1]

	P _{mpp} [W]	V _{oc} [V]	V _{mpp} [V]	I _{sc} [A]	I _{mpp} [A]	Efficiency
SPP 290	290	44.3	35.5	8.63	8.17	14.94%
SPP 295	295	44.7	35.7	8.70	8.25	15.20%
SPP 300	300	45.0	36.0	8.77	8.32	15.46%
SPP 305	305	45.4	36.3	8.84	8.39	15.71%
SPP 310	310	45.7	36.6	8.91	8.46	15.97%

II. THERMAL CHARACTERISTICS

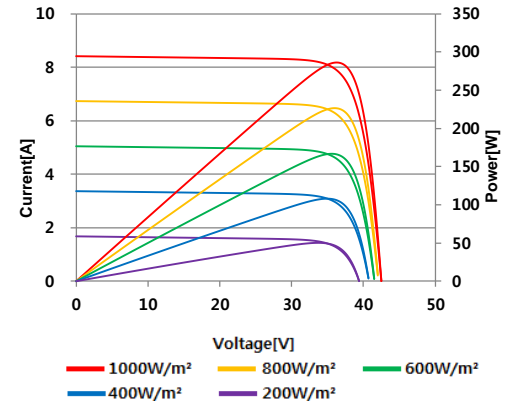
Nominal operating cell temperature (NOCT)	46 ± 2 °C
Temperature coefficient of P _{mpp}	-0.45 %/°C
Temperature coefficient of V _{oc}	-0.35 %/°C
Temperature coefficient of I _{sc}	0.034 %/°C

*Sun simulation measurement tolerance (Class AAA Flasher): +/- 3%.
*SolarPark's PowerPlus Sorting (positive sorting): actual > rated power: tolerance only extends to positive deviations (additionally up to +5W/0W).

III. MODULE ARCHITECTURE

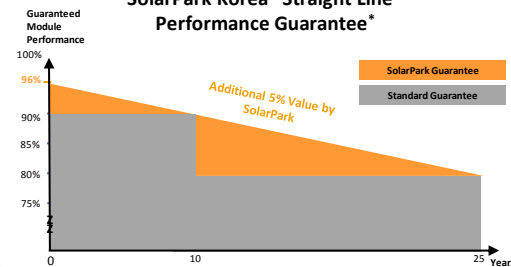
Solar Cell	Multicrystalline Silicon, 156 x 156 mm (6 Inch)
Cell Array	12 x 6, total 72 Cells
Glass	3.2mm Tempered Glass
Frame	Anodized aluminum alloy
Junction Box	IP67 rated (3 Bypass Diodes)
Cable	IEC and/or UL
Connector	MC4 compatible
Protection Rating	IP67
Module	
Dimension	1,956 x 992 x 40 mm (77.0 x 39.1 x 1.6 inches)
Weight, Module	23 kg (50.7lbs.)

I-V & V-P Curve



Reference Data for 290W model. Cell Temp. 25 °C

SolarPark Korea "Straight Line" Performance Guarantee*



* 1st year performance guarantee of 96% of labeled P_{max}, followed by an annual decrease of 0.66%, which guarantees at least 80.2% of P_{max} after the 25th year.

IV. SAFETY INFORMATION

Max. System Voltage:	1,000 V _{DC/IEC}
Max. System Voltage:	1,000 V _{DC/UL}
Max. Reverse Current Rating:	16 A
Series Fuse Rating:	15 A
IEC Protection Class:	Safety Class II
Operating Temperature:	-40 ~ +85°C
UL Max. Test Load:	2,400 Pa
IEC Max. Snow Test Load:	5,400 Pa

V. PACKING CONFIGURATION

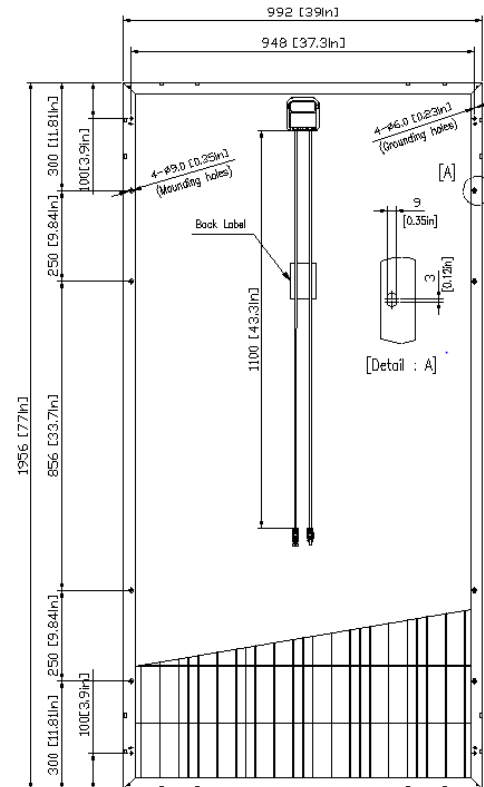
Container	40' HC
Piece per pallet	25
Pallets per container	22
Pieces per container	550



IMPORTANT!

Please read the respective SolarPark Korea Powermodule™ Safety & Installation Manual prior to handling, installing and operating SolarPark Korea Powermodules™. Electrical work should only be performed by qualified personnel.

All Specifications are in compliance with EN 50380, and are subject to change without prior notice.



SolarPark Korea Co., Ltd.
Seoul: East, 21th Fl., 411 Seocho-daero, Seocho-gu, 137-856, Seoul, Korea
Factory: 292 Wanjusandan 6-ro, Bongdong-eup, Wanju-gun, Jeollabuk-do, Korea

www.solarpark-korea.com | support@solarpark-korea.com